

# VCM

## Flyable ARINC 818 Video Converter Module

Extend the life of airborne video components by quickly linking them to ARINC 818 architecture. The VCM is matched to your ICD and can be certified to DO-254 and DO-160. The VCM is a rugged, flyable version of GRT's Stand Alone Module (SAM).

### APPLICATIONS:

Rugged Conversion between:

- Sensors
- Video Processors
- Displays

### LINK RATES: (Gbps)

- 1.0625
- 2.125
- 3.1875
- 4.25

### FORMAT CONVERSIONS:

Each unit is factory configured to one specific conversion:

- DVI to ARINC 818
- ARINC 818 to DVI
- VGA to ARINC 818
- ARINC 818 to VGA

For other format conversions such as:

- DVI to ARINC 818 over 75Ω coax
- Ethernet
- SMPTE 292
- Analog protocols, e.g. STANAG 3350

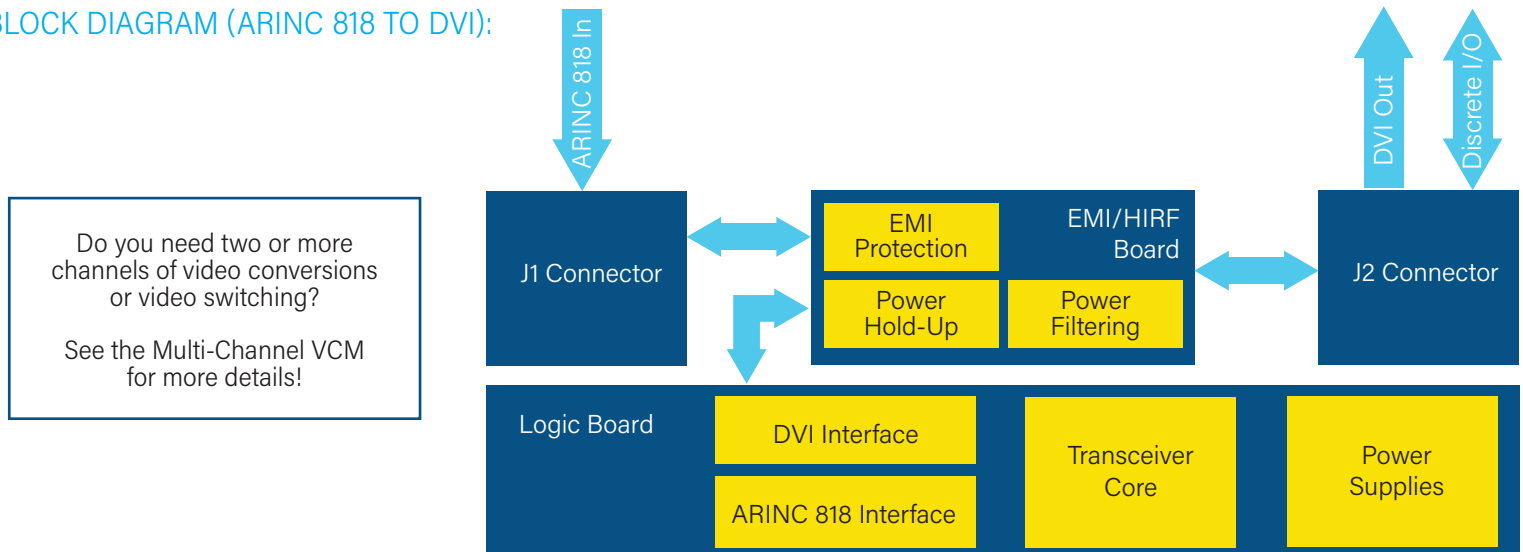
Contact us for more details!



### FEATURES:

- 16 to 32 VDC power input per MIL-STD-704F and RTCA DO-160F hardware qualification
- HIRF protected, EMI shielded design
- Robust 38999 Series circular connectors

### BLOCK DIAGRAM (ARINC 818 TO DVI):



GREAT RIVER TECHNOLOGY est distribué par TECHWAY S.A.S. - [www.techway.com](http://www.techway.com) - [info@techway.com](mailto:info@techway.com) - +33 1 64 53 37 90

## SPECIFICATIONS:

Power Requirement	~ 6W	Connectors	D38999, size 12 shell
Operating Temperature	-40 to 70°C (-40 to 158°F)	Form Factor	Custom
Weight (4-tab)	1.41 lbs (0.64 kg)	Fiber	ARINC 801, 850nm, multimode
Physical Dimensions	Size envelope, no connector or bracket 4.45 x 3.86 x 1.56 inches (113 x 98 x 39.6 mm)	Standards	ARINC 818

## ENVIRONMENTAL CONDITIONS (DO-160G, SUBJECT TO CHANGE):

Sec. 4: Temperature and Altitude Overpressure	A2
Sec. 5: Temperature Variation	B
Sec. 6: Humidity	A
Sec. 7: Shock and Crash Safety	B
Sec. 8: Vibrations	B/B1
Sec. 9: Explosion Proofness	H
Sec. 10: Water Proofness	Y
Sec. 11: Fluids Susceptibility, Cleaning Fluids	F
Sec. 12: Sand and Dust	D
Sec. 13: Fungus Resistance, Analysis	F
Sec. 14: Salt Spray Testing, Analysis	S
Sec. 15: Magnetic Effect	Z
Sec. 16: Power Input	B (50 ms)
Sec. 17: Voltage Spike	A
Sec. 18: AF Conducted Susceptibility	B
Sec. 19: Induced Signal Susceptibility	ZC
Sec. 20: RF Radiated and Conducted Susceptibility	R
Sec. 21: RF Radiated and Conducted Emissions	M
Sec. 22: Lightning Induced Transient	A2J2M2 (shielded)
Sec. 24: Icing	A
Sec. 25: ESD Susceptibility	A (equipment off)
Sec. 26: Fire, Flammability	C

## HOW TO BUY:

Determine your part number for the ARINC 818 Video Converter Module (VB-A8) as follows:

VB-A8- **1** - **2** -O8- **3** - **4**

**For Example:**

VB-A8-FD-08-2X-DT-0000

<b>Configuration</b> <b>1</b> DF = DVI to ADVB (fiber) out FD = ADVB (fiber) to DVI out FR = ADVB (fiber) to RGB out RF = RGB to ADVB (fiber) out	<b>Link Rate (Gbps)</b> <b>2</b> 1X = 1.0625 2X = 2.125 3X = 3.1875 4X = 4.250 ZZ = Custom	<b>Video Port</b> <b>3</b> DR = DVI Rx DT = DVI Tx ER = Ethernet Rx ET = Ethernet Tx	<b>Custom Characters Assigned by GRT</b> <b>4</b>
---	---	--	---



GREAT RIVER TECHNOLOGY est distribué par TECHWAY S.A.S. - www.techway.com - info@techway.com - +33 1 64 53 37 90